

VISION
installation:innovation

INSTALLATION SOLUTIONS 2012



AUDIO



CONNECTIVITY



CONTROL



BRACKETRY

DESIGNED BY INSTALLERS FOR INSTALLERS

www.visionaudiovisual.com

WINNER
Manufacturer
of the Year
2006

WINNER
Audio Product
of the Year
2009

WINNER
Installation
Product of the Year
2010

WINNER
Audio
Manufacturer
2010

**HIGHLY
COMMENDED**
Most InAVative AV
Accessory
2011

RUNNER-UP
AV News Best
Connectivity
Brand 2012

WINNER
Green
Manufacturer
2012

WHY USE VISION?

In 2010 Vision continued to provide AV installers with innovative new products and was awarded with two more industry awards for excellence. Named AV Awards "Audio Manufacturer of the Year 2010", Vision was also awarded "Highly Commended" at the InAVate Awards 2011 for the Techconnect² system.

TECHAUDIO

Built for professional audio and audio-visual installers alike, the totally unique AV-1600 amplifier is now available. Using a digital audio engine, the AV-1600 features a balanced XLR microphone input with phantom power and can uniquely be mounted in a plenum area above a false ceiling adding security and discretion to an installation.

TECHCONNECT²

2010 saw the introduction of pre-terminated plug-in cables, plus a full revision of the circuit boards which now allows more depth behind the modules. The Techconnect² offers the speed of a pre-terminated system with the flexibility you sometimes need.

Vision's Techconnect² Tilt brings safety to the boardroom, eliminating the dangerous trip hazard which is caused by cables trailing across the room to a wall mounted faceplate. Until now table-mounted faceplates have been too expensive, but the Techconnect² Tilt has changed that and also includes a motorised action.

Far from being just a modular connectivity system, the Techconnect² family of products includes a digital amplifier module, plus an advanced new IR Control module which can control up to three devices at once!

TECHMOUNTS

Vision now offers a projector theft deterrent enclosure - the Techmount Cage. This new product includes motion sensing alarms which let off a piercing 113dB alarm with continual movement.

Available in eight size variations, the TM-CAGE is lightweight but deceptively secure. The close-fitting design is less obtrusive but more secure than traditional cages, and offers open airflow, plus easy cable and IR access.

The radical new TM-LCD can flush mount any flat-panel to a wall. From 15" to 55" – this ingenious product works with any size screen whether it has VESA mounting points or not. Pre-printed installation templates are included, and it is lightning-fast to install!



Short videos are available at www.visionaudiovisual.com explaining the features and benefits of each product, plus you can download manuals, product pdfs, and high-resolution images. Don't hesitate to contact us through the website if you have any questions or feedback!



**“MEET DAVE
HE’S GOT VISION**
He’s an installer just like you,
and he’ll be offering useful tips
through-out this catalogue.”



CONTENTS...

TECHCONNECT	PAGE
Connectivity Packages	7
Amplifier	8
Control	9
Tilt	10
Twist	11
Modules	12
Mounting Hardware	15
Cables	17
TECHAUDIO	
SP-5000 Column Speakers	18
AV-1000 Powered Speakers	19
SP-100V 100v Transformers	20
AV-1600 Amplifier	21
CS-1600 Ceiling Speakers	22
SP-1300 Wall Speakers	23
TECHSPLITTER	
VGA Distribution Amp	24
TECHMOUNT	
TM-LCD Flat-Panel Wall Mount	25
TM-CAGE Projector Secure Cage	26
TM-1200 Projector Ceiling Mount	27
TM-TELE Telescopic Projector Mount	28
TM-1200 FP Flat-Panel Ceiling Mount Adaptor	29
TM-CC Close-Coupled Ceiling Mount	30
TM-ST Short-throw Projector Wall Mount ...	31



Unparalleled Flexibility

The Techconnect² is the only family of products which seamlessly integrates connectivity, audio, and projector control. It allows you to create consistent, professional, high quality installations which can easily be revised at any time. The future-proof modular design makes upgrading and repairs simple.

THE ADVANTAGES ARE ENDLESS...

- Fast installation
- Solder-free, minimizing 'go-backs'
- Save time on ordering and administration
- Control, amplifier and connectivity parts all match
- All parts are made to work together
- Inputs are clearly identifiable
- No un-terminated connectors to confuse end-users
- Modular design allows retrospective changes
- One warranty covering the complete solution
- Convenient packages or individual parts

DAVE SAYS...

"I use the 'Lite' package as a basis for all of my installations, then add what I need."



POSSIBLE COMBINATIONS OF TECHCONNECT² PRODUCTS

EXAMPLE 1

Techconnect² Tilt with Amplifier



Manu code: TC2-TILT / Part code: 1584482
Manu code: TC2-AMP2 / Part code: 1872510

EXAMPLE 2

HDMI and Component Video modules for home cinema installations



Manu code: TC2 HDMI / Part code: 1643913
Manu code: TC2 3PHO / Part code: 1643926
Manu code: TC2 BACKBOX1G / Part code: 1643922
Manu code: TC2 SURR1G / Part code: 1622115

EXAMPLE 3

XLR module for audio installations



Manu code: TC2 XLRM / Part code: 1643905
Manu code: TC2 BACKBOX1G / Part code: 1643922
Manu code: TC2 SURR1G / Part code: 1622115

EXAMPLE 4

Techconnect² Lite Package with IR Control module



Manu code: TC2-LT / Part code: 1643286
Manu code: TC2-CTL2 / Part code: 1872511

EXAMPLE 5

Techconnect² Lite Package with 2 x 25w Digital Amplifier module



Manu code: TC2-LT / Part code: 1643286
Manu code: TC2-AMP2 / Part code: 1872510



Why buy Vision Cable?

INSTALLATION-GRADE CABLE

When choosing cable don't be fooled by a thick cable jacket. A major cost component of cables is copper, so cheap cables have inadequate copper. Compromising can result in cable which doesn't support high resolutions. The cross-sectional area of conductors allows sufficient current-carrying capacity to support a high resolution signal. AWG for Techconnect² cable:

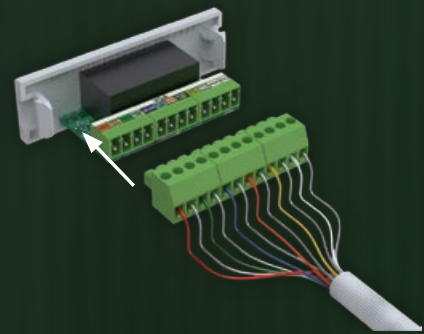
- VGA: 28AWG coax cables for red/green/blue
- Phono / Minijack: 26AWG
- S-Video: 28AWG

QUALITY CONSTRUCTION

Techconnect² cable shielding is evenly wound to prevent ghosting, flagging, and image jitter. Ferrite Cores included on VGA cables to eliminate radio-frequency induction noise. All cable jackets are easy-to-hide white or beige.

PLUG-AND-PLAY CONNECTIVITY

Unlike competing VGA cable, our quality cable has SDA and SCL data lines to support DDC2B (Display Data Channel) which allows the display device to communicate its supported display modes. Without these the user will not experience plug-and-play connectivity and will have to manually setup resolution and colour bit depth.



Robust Modules

HOW TOUGH CAN YOU GET?

Vision's design team bent, twisted, and smashed hundreds of samples to make sure Techconnect² is up to the rigors of an installation environment.

NOT BRITTLE

Our backboxes are carefully designed with convenient easy-push-out sections for trunking, and Techconnect² parts flex instead of breaking.

UNBREAKABLE... ALMOST

Try breaking a Techconnect² module and be amazed how rugged they are. You'll find it much harder than you expect.

BETTER RF ISOLATION

Using plastic gives our connectors better insulation characteristics eliminating EMF and RF noise and cross-talk.

BETTER FIT AND FINISH

Plastic also allows us to deliver a product whose fit and finish is greatly superior to metal.

POSITIVE CLIP-IN ACTION

The clip-in action of the modules has been carefully weighted to favour strength over ease of installation. They require solid force to clip into place which makes them extremely difficult to pull out without using the proper method.

DAVE SAYS...

"Techconnect backboxes don't shatter when I push out the cable holes."



TC² Lite Wall-Mount Faceplate Package



FEATURES EASY PLUG-IN CABLES

With a minimal selection of modules, this package suits professional installers who can use it as a starting point and add more modules as required. Module and Cable packages are sold separately. Use your own cables with the module package or select one of our pre-terminated cable packages.

LITE MODULE PACKAGE



INCLUDED:

- 1 x 2-Gang UK Backbox (surface mount)
- 1 x 2-Gang Surround (accommodates 5 modules)
- 1 x VGA with Minijack Module
- 1 x USB (B-type on front) Module
- 1 x 3-Phono Module
- 3 x Blanking panels Module

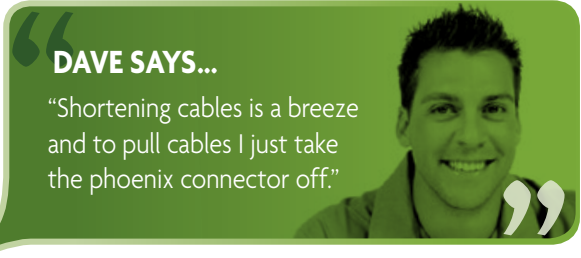


LITE CABLE PACKAGE



INCLUDED:

- 1 x VGA Cables
- 1 x Minijack Cable
- 1 x 1-phono (RCA) Cable for Composite Video
- 1 x 2-phono (RCA) Cable for Stereo Audio



SPECIFICATIONS	Lite Module Package	Lite Cable Packages
BOX DIMENSIONS	150 x 90 x 60mm	5m: 250 x 250 x 55mm 7/10/15m: 250 x 250 x 60mm
FACEPLATE DIMENSIONS	146 x 86 x 46mm	
PACKAGED WEIGHT	0.5kg	5m: 1.0kg / 7m: 1.3kg / 10m: 1.8kg / 15m: 2.5kg
COLOUR	White (RAL9010)	White
INCLUDED	1 x VGA/Minijack 1 x USB 3 x Blanking panels 1 x 3-phono	1 x VGA 1 x 1-phono 1 x 2-phono 1 x 3.5mm minijack
WARRANTY	2-year return to base	2-year return to base
COMPLIANCES	RoHS, WEEE & CE compliant	RoHS, WEEE & CE compliant
ORDER PART	TC2-LT 1643286	TC2-LT5MCABLES, 1740257 TC2-LT7MCABLES, 2387878 TC2-LT10MCABLES, 1643287 TC2-LT15MCABLES, 1643288
BUNDLE PART CODES	Lite Techconnect² 5m Bundle - TC2-LT+TC2-LT5MCABLES, Part code: 1740257 Lite Techconnect² 7m Bundle - TC2-LT+TC2-LT7MCABLES, Part code: 2390426 Lite Techconnect² 10m Bundle - TC2-LT+TC2-LT10MCABLES, Part code: 1688515 Lite Techconnect² 15m Bundle - TC2-LT+TC2-LT15MCABLES, Part code: 1688516	

TECHCONNECT² AMPLIFIER²



2 x 20w Digital Amplifier Module

By using latest low-impedance digital amplifier chip technology the new Techconnect² Amp² module outputs a massive 2 x 20w RMS (at 8 ohms) but fits into the chassis of a double-module.

QUICK-ACCESS INPUT

Two Inputs are wired into the rear with removable phoenix connectors, PLUS Input 1 is duplicated on the front panel with a minijack socket for convenience. This half-normalled input disconnects the rear terminal while in use.

GREEN D-CLASS AMPLIFIER

Digital amplifiers use no power unless they are working, so even on at full volume; unless it is receiving input it is effectively off. Digital amplifiers run cold so a bulky heatsink is not necessary - but don't let size deceive you: the Techconnect Amp² can drive into a 4 ohm load powering up to four speakers.

REMOTE CONTROL INCLUDED!



IR receivers are positioned on the front for normal use and on the rear for integration with a control system such as the Techconnect Control².

EASY TO INSTALL AND UNINSTALL

Robust and easy to install; the inputs and outputs are all via removable phoenix connectors which allow end users to uninstall easily if required. Short input cables are included for connection to the rear of adjacent input modules on the connectivity faceplate.

WALL MOUNTED AND SECURE

Perfect for when you don't have furniture to sit an amplifier on, and because it is mounted to the wall it is less obvious as a target for theft. It is close at hand if volume adjustments need to be made, making it perfect for training rooms, boardrooms, and classrooms.

INTEGRATED TECHCONNECT² FAMILY

A single-gang backbox and surround is included or you can mount in a double-gang surround with other connectivity modules.

EXTERNAL POWER SUPPLY

The compact transformer measuring just 42 x 95 x 28mm (wide x tall x deep) has interchangeable power prongs which fix directly to the transformer chassis. If necessary a normal figure-8 power cable can please plugged into the transformer. A 3m DC tail which can be shortened means easy routing of power cable through trunking.



SPECIFICATIONS

AMPLIFIER DIMENSIONS: 42 x 71 x 40mm

AMPLIFIER WEIGHT: 63 grams

COLOUR: White

CARTON DIMENSIONS: 230 x 100 x 63mm

PACKAGED WEIGHT: 1.1kg

POWER SUPPLY:

100/230V External Laptop-style

WARRANTY: 2-year return to base

COMPLIANCES:

RoHS, WEEE, CE, and CB Compliant

INPUTS: 2 x Stereo inputs via removable phoenix connectors

TECHNICAL DETAILS:

- 2 x 20w @ 8 ohms
- Total Harmonic Distortion less than or equal to 1% (20Hz~22kHz)
- Frequency response (line in): 80Hz~22kHz(±2dB)
- Signal to noise ratio (line in): more than or equal to 98dB (A-weighted)
- Rating input level/impedance: Line in 500mV/50kΩ
- Power Supply 100-240vAC 50/60Hz, Max 1.2, DC Output 12V 3A, DC Cable 3m
- Power consumption (rating condition): less than or equal to 40W

ACCESSORIES INCLUDED

- 1 x Single-gang Backbox
- 1 x Single-gang Surround
- 2 x 150mm input cables
- 2 x Unshielded Speaker cable 5m long

Manu code: TC2-AMP2 / Part code: 1872510

BUNDLE PART CODES

TC2 AMP2 & Black Wall Speakers Bundle

Manu code: TC2-AMP2+SP-1300B

Part code: 1703068

TC2 AMP2 & WHITE Wall Speakers Bundle

Manu code: TC2-AMP2+SP-1300W

Part code: 1703069

TC2 AMP2 & Ceiling Speakers Bundle

Manu code: TC2-AMP2+CS-1600

Part code: 2386006

TECHCONNECT² CONTROL²



Learning IR Control Module



With the new modular Techconnect Control² the button layout and labels can be changed to suit each application. Whether it be for a small installation or a large roll-out, using this control device to standardise the control interface results in confident users and fewer support calls.

MULTI-DEVICE CONTROL

The module learns codes for up to three AV devices. Press 'ON' once to simultaneously drop the screen, turn the projector, and turn the amplifier on.

ADVANCED IR LEARNING

Use the remote control from your equipment to program the module in a few easy steps. The Control² has increased processing and memory power to cover a wider range of IR protocols.

DUPLICATION FOR ROLL-OUTS

The codes from one Control² module can be duplicated to other Control² modules.

MAINS POWER OPTION

A smaller long life 3-Volt lithium battery is included or it can share the power supply provided with a Techconnect Amplifier². This power supply is also available as a spare.

INTEGRATION

A single-gang surround and backbox is included or you can mount it in a surround with other modules.

INTELLIGENT FUNCTION-SPECIFIC BUTTONS

POWER:

The power buttons (top) are pre-set to send up to three stored codes each at the same time for turning all equipment on or off with one press. It will automatically send the projector's 'off' code twice.

INPUT:

The input buttons (middle) can learn up to four codes each, and can broadcast in two ways: to suit your application:

Sequential Example:

Press 1: Projector PC1 Input
Press 2: Projector PC2 Input
Press 3: Projector VID Input
Press 4: Projector S-VID Input

Toggle Example:

Press 1: Projector PC1 Input and Amplifier Input 1
Press 2: Projector PC2 Input and Amplifier Input 2

VOLUME:

The volume buttons (bottom) can only learn one code each, but outputs that code repeatedly if held down.

SPECIFICATIONS

MODULE DIMENSIONS: 71 x 42 x 31mm

MODULE WEIGHT: 63 grams

CARTON DIMENSIONS:

179 x 150 x 64mm

PACKAGED WEIGHT: 0.5kg

COLOUR: White

POWER CONSUMPTION:

Static: <= 5uA

Sending: <= 20mA

Copying: <= 10mA

WARRANTY: 2-year return to base

COMPLIANCES: RoHS, WEEE, CE, and CB Compliant

ACCESSORIES INCLUDED

- 26 x Interchangeable buttons
- 1 x Single-Gang Techconnect Backbox
- 1 x Single-Gang Techconnect Surround
- 1 x IR Blaster with 10m cable
- 2 x IR Blaster without cable
- 1 x 3V Lithium CR2450 Battery

Manu code: TC2-CTL2 / Part code: 1872511

Optional Power Supply:

Manu code: TC2-CTL2PWR

Part code: 1872512

DAVE SAYS...

"Programming this is dead easy, but it's a deceptively powerful product."



Modular Table-Mounted Faceplate

When a projector is installed on the ceiling you need a way of plugging your laptop or other source equipment into it without having to clamber up on the table.



TABLE MOUNTED

The normal wall-mounted Techconnect is ideal if your PC is on a table directly next to the wall, but in a boardroom or meeting room where the table is in the centre of the room, you need those connectors to be in the centre of the table for easy connection so you don't risk tripping up on ugly cables strewn across the room.



MOTORIZED

Mounted into the centre of the table, touch the button and the motorized faceplate tilts up offering power, VGA, audio, and network connections within handy reach.



ENCLOSED BASE

The Techconnect Tilt is completely enclosed and safe.

SIMPLE TO INSTALL

The hole required in the table requires a 210mm diameter. When installed and 'off', the Techconnect Tilt is almost completely flush with the table surface. The unique clamping system allows installation to tables of varying thickness.

DAVE SAYS...

"The motorized tilt action looks fantastic, and being round makes it so easy to install."



SPECIFICATIONS

PRODUCT DIMENSIONS:

164 x 145 x 200mm (side x side x height)

PRODUCT WEIGHT: 3.7kg

COLOUR: Black

MOTOR CURRENT AND TORQUE

Going up: 0.7A, 30n

Going down: 0.45A, 20n

CUTOUT DIAMETER: 220-226mm

OUTER DIAMETER: 240mm

POWER SUPPLY:

100-240V, Output 12VDC, 1000mA, 12W

CARTON DIMENSIONS:

262 x 262 x 275mm

PACKAGED WEIGHT: 5.1kg

WARRANTY: 2-year return to base

COMPLIANCES:

RoHS, WEEE, CE, and CB Compliant

ACCESSORIES INCLUDED

- 1 x Euro IEC Power cable 1.8m long
- 1 x UK IEC Power cable 1.8m long
- 1 x Cutout Template
- 2 x Mounting Ears
- 1 x UK Power Module with IEC power cable
- 1 x EU Power Module with IEC power cable
- 2 x VGAF3.5MM Module
- 1 x RJ45 Ethernet Module
- 1 x Twin-RJ45 Module
- 1 x Blank Module

Manu code: TC2-TILT / Part code: 1584482

INCLUDED

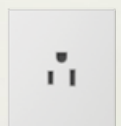


1 x EU Power Socket
Manu code: TC2 PWREU
Part code: 2142593



1 x UK Power Socket

OPTIONAL



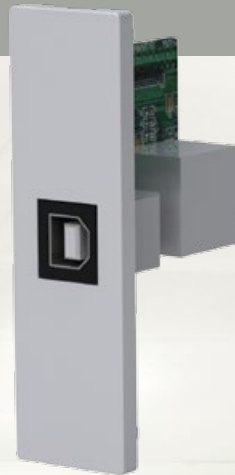
1 x US Power Socket
Manu code: TCUS PWR
Part code: 2127265



1 x AU Power Socket
Manu code: TCAU PWR
Part code: 1861094

TECHCONNECT² TWIST

USB-over-Twisted Pair Transmitter and Receiver Module



DAVE SAYS...

"The applications are not limited to whiteboards. It even works with webcams!"



The new Techconnect² Twist converts USB to be run over Ethernet cable, allowing flexible placement of the AV faceplate with respect to the interactive whiteboard. Installers are no longer restricted by the USB 5m maximum cable length.

TRANSMITTER AND RECEIVER

All parts are included in one box. Just install the transmitter module into the faceplate, and mount the receiver at the remote USB device. The receiver has a low-profile design to fit neatly into SA4 trunking or Dado rail.

SELF-POWERED

The Techconnect Twist transmitter is powered by USB so no additional power adaptors are required.

UP TO 50 METRES

The USB specification limits the length of a cable to 5 meters. Converting the signal to run over a twisted-pair cable – also known commonly as CAT5 or Ethernet – allows the signal to travel up to 50m.

WEBCAM-READY

As well as interactive whiteboard applications, the Techconnect Twist can be used for other USB devices which work on USB 1.1 such as printers and webcams.

MODULAR

As part of the Techconnect² family of products the 'Twist' comes with a transmitter in the form of a modified USB-B module. To install it just clip it into place on any Techconnect² faceplate.



SPECIFICATIONS

RECEIVER DIMENSIONS: 95 x 24 x 21.2mm (length x width x height)

USB SPECIFICATION: 1.1

CONSTRUCTION MATERIAL: ABS Plastic

COLOUR: White

CARTON DIMENSIONS: 120 x 80 x 44mm

PACKAGED WEIGHT: 0.1kg

WARRANTY: 2-year return to base

COMPLIANCES:

RoHS, WEEE, CE, and CB Compliant

ACCESSORIES INCLUDED

- 2 x Mounting Screws
- 1 x Transmitter
- 1 x Receiver

Manu code: TC2-USBTP
Part code: 1795080

WHAT OUR CUSTOMERS SAY:

"The Vision product range just keeps on getting better and their customer support has never let us down yet. This enables Midland Technologies to continue delivering installations that are second to none, at an affordable price."



midlandtechnologieslimited

Jon Hempson

Midland Technologies Limited

AV Specific Modules

3-PHONO



This 3-phono has interchangeable coloured rings to denote yellow/red/white (for composite video and audio), or red/green/blue (for component video). Also known as a Cinch or RCA connector.

Manu code: TC2 3PHO
Part code: 1643926

SVIDEO AND 2-PHONO



Useful for connecting a DVD player to a projector, S-video is far superior to composite video. This also has dual phono for stereo audio.

Manu code: TC2 SVID2PHO
Part code: 1643917

FEMALE VGA



Common 15-pin D-Sub type connector for PC display outputs.

Manu code: TC2 VGAF|
Part code: 1643901

MALE VGA



Common 15-pin D-Sub type connector for PC display outputs.

Manu code: TC2 VGAM
Part code: 1643905

BLANK



Simple blank modules for blanking off unused slots in the surround.

Manu code: TC2 BLANK
Part code: 1643928

USB A (ON FRONT) TO B



This has a "B" type socket on the rear as found on a printer chassis, and an "A" type socket on the front laptop chassis.

Manu code: TC2 USB A
Part code: 1643918

VGA-F AND MINI JACK



Common 15-pin D-Sub type connector for PC display outputs. 3.5mm Minijack audio socket included.

Manu code: TC2 VGAF3.5MM
Part code: 1643902

POWER SOCKET (AU)



Type I 10A/240V Female power socket for use in Australia, New Zealand, Fiji, Argentina, and Papua New Guinea.

Manu code: TCAU PWR
Part code: 1861094

POWER SOCKET (US)



Type I 10A/110V Female power socket for use in America and some parts of Asia.

Manu code: TCUS PWR
Part code: 2127265

SERIAL MALE



9-pin D-sub connector commonly used for control applications.

Manu code: TC2 SERIALM
Part code: 1643931

USB B (ON FRONT) TO A



This has an "A" type socket on the rear as found on a laptop chassis, and a "B" type socket on the front as found on a printer chassis.

Manu code: TC2 USB B
Part code: 1643919

VGA-F D-SUB AND MINI JACK



Common 15-pin D-Sub type connector with a female socket on the rear rather than a phoenix connector. 3.5mm Minijack audio socket included.

Manu code: TC2 VGAF3.5MMD
Part code: 1643904

POWER SOCKET (EU)



Type I 10A/240V Female power socket for use in Europe.

Manu code: TC2 PWREU
Part code: 2142593

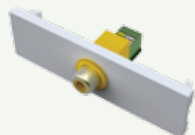
DAVE SAYS...

"The HDMI module is now 1.4 compliant."



Home-Cinema Specific Modules

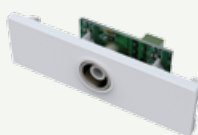
SINGLE PHONO



For use with RG59 coaxial cable for composite video signal. Also known as a Cinch or RCA connector.

Manu code: TC2 1PHO
Part code: 1643910

RF AERIAL



With integrated female to female barrel. RF connectors are used for aerials, and are commonly found on the rear of VCRs.

Manu code: TC2 RF
Part code: 1643914

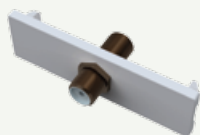
HDMI



Short HDMI 1.4 cable included with female socket for easy connection. Thin flexible tail with slim-line connectors.

Manu code: TC2 HDMI
Part code: 1643913

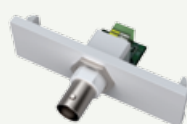
F AERIAL



Female to female F barrel. F connectors have a pin and threaded locking mechanism and are commonly found on Sky receivers

Manu code: TC2 F
Part code: 1643930

BNC



Commonly used by AV professionals for composite video signal transmission or SDI. Its robust design means it has a better suited impedance profile, and locking mechanism

Manu code: TC2 BNC
Part code: 1643929

DISPLAY PORT



Digital replacement for VGA and DVI. It supports longer cables than HDMI and has a connector which latches.

Manu code: TC2 DP
Part code: 2252472

THUNDERBOLT



Also known as Mini DisplayPort. Combines and replaces function of USB, VGA and DVI.

Manu code: TC2 TB
Part code: 2291976



Audio Specific Modules

2-PHONO WITH VOLUME



For use with stereo audio cable. Volume pot provides convenient control of volume, especially useful when using powered speakers that are not in easy reach.

Manu code: TC2 2PHOVOL
Part code: 1643911

3.5MM MINIJACK WITH VOLUME



For use with stereo audio cable. Volume pot provides convenient control of volume, especially useful when using powered speakers that are not in easy reach.

Manu code: TC2 3.5MMVOL
Part code: 1643912

3.5MM MINIJACK



For use with stereo audio cable.

Manu code: TC2 3.5MM
Part code: 1740258

2-PHONO



For use with stereo audio cable.

Manu code: TC2 2PHO
Part code: 2250117

4-BARE WIRE TERMINAL



Used for speaker cable, these spring terminals are quick and secure.

Manu code: TC2 SPEAKER
Part code: 1643932

SPEAKON



Also known as NL-4, this is a versatile professional audio connector exclusively used for speaker cable.

Manu code: TC2 SPEAKON
Part code: 1643933

TOSLINK



Optical digital audio connector for home cinema applications. Carries the S/PDIF format.

Manu code: TC2 TOSLINK
Part code: 2252477

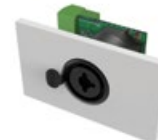
MALE XLR



Double-space accommodates a professional audio XLR connector for microphones and balanced line-level signals.

Manu code: TC2 XLRM
Part code: 1643921

FEMALE XLR & 6.3MM



The combo module accommodates both XLR and 1/4" Jack connectors. Terminations for both connectors are presented independently on the phoenix connector.

Manu code: TC2 XLRFJACK
Part code: 2124068

Network Specific Modules

RJ45/RJ11



Shielded female to female ethernet socket, which is backwards compatible with RJ11 phone jacks CAT5e.

Manu code: TC2 RJ45
Part code: 1643915

DUAL RJ45/RJ11



Two shielded female to female ethernet sockets, which are backwards compatible with RJ11 phone jacks CAT5e/CAT6.

Manu code: TC2 2RJ45
Part code: 1643916

DAVE SAYS...

"I can't find a faceplate which offers such a wide variety of connectors anywhere else!"



UK / Europe / South Africa

SINGLE-GANG UK SURROUND

Single-gang frame which accommodates two modules. Fits to any standard single-gang UK backbox (pattress).



WHITE Manu code: TC2 SURR1G
Part code: 1622115

BLACK Manu code: TC2 SURR1GBL
Part code: 2252473

SILVER Manu code: TC2 SURR1GSI
Part code: 2252474

SINGLE-GANG SURFACE MOUNT UK BACKBOX

Standard single-gang UK surface-mount backbox (pattress) 45mm deep.



WHITE Manu code: TC2 BACKBOX1G Part code: 1643922

BLACK Manu code: TC2 BACKBOX1GBL Part code: 2250118

SILVER Manu code: TC2 BACKBOX1GSI Part code: 2250119

DOUBLE-GANG FLUSH MOUNT UK MUD-RING

Standard double-gang UK flush-mount mud-ring for hollow walls.



Manu code: TC2 MUDRING2G
Part code: 1643908

DOUBLE-GANG UK SURROUND

Double-gang frame which accommodates five modules. Fits to any standard double-gang UK backbox (pattress).



WHITE Manu code: TC2 SURR2G
Part code: 1622104

BLACK Manu code: TC2 SURR2GBL
Part code: 2252475

SILVER Manu code: TC2 SURR2GSI
Part code: 2252476

DOUBLE-GANG SURFACE MOUNT UK BACKBOX

Standard double-gang UK surface-mount backbox (pattress) 45mm deep.



WHITE Manu code: TC2 BACKBOX2G Part code: 1620805

BLACK Manu code: TC2 BACKBOX2GBL Part code: 2252470

SILVER Manu code: TC2 BACKBOX2GSI Part code: 2252471

SINGLE-GANG FLUSH MOUNT UK MUD-RING

Standard single-gang UK flush-mount mud-ring for hollow walls.



Manu code: TC2 MUDRING1G
Part code: 2357413

DOUBLE-GANG TABLE MOUNTED UK BACKBOX

Double-gang UK backbox (pattress) for mounting onto a table. Aluminium.



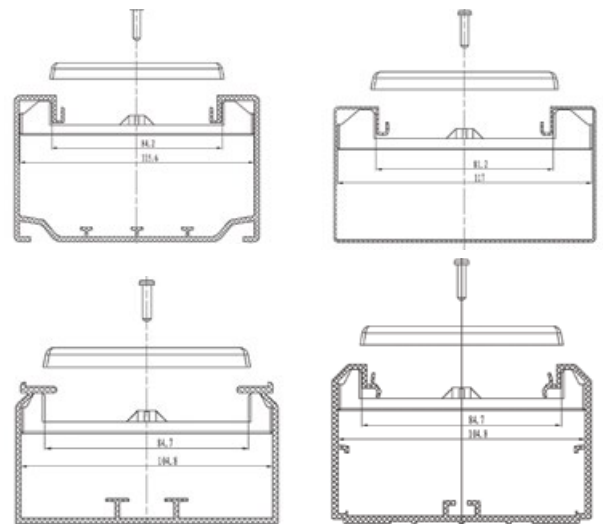
Manu code: TC2 BACKBOX2GT
Part code: 2485132

EUROPEAN TRUNKING ADAPTOR

Replaces the function of a backbox for five different common sizes of Dado trunking in Europe. Works for single-gang or double-gang surrounds.



Manu code: TC2 ADAPTOR
Part code: 1461181



TECHCONNECT² BACKBOXES AND SURROUNDS

Australia / New Zealand

DOUBLE-GANG 2 MODULE AU SURROUND

Double-gang portrait frame which accommodates two modules. Fits any standard double-gang Australian backbox (e.g. Clipsal).



Manu code:
TCAU SURRE2
Part code: 1647885

DOUBLE-GANG 3 MODULE AU SURROUND

Double-gang portrait frame which accommodates three modules. Fits any standard double-gang Australian backbox (e.g. Clipsal).



Manu code:
TCAU SURRE3
Part code: 1598804

DOUBLE-GANG FLUSH MOUNT AU MUD-RING

Standard double-gang Australian flush-mount mud-ring for hollow (or dry) walls.



Manu code:
TCAU MUDRING
Part code: 1584557

Europe

3-GANG FR SURROUND

3-gang frame which accommodates 4 modules. Integrated mounting clip. Fits Legrand 65mm Dado rail.



Manu code:
TCFR SURRE65
Part code: 2357414

2-GANG DE SURROUND

2-gang frame which accommodates 5 modules. Fits to standard German backbox.



Manu code: TCDE SURRE2G
Part code: 2385506

2-GANG DADO-MOUNTING DE BACKBOX

Standard double-gang German backbox 55mm deep. Fixes into Hager Tehalit BRN13071 dado rail.



Manu code:
TCDE BACKBOX2G
Part code: 2385507

US / Canada

3-GANG US SURROUND

3-gang frame which accommodates six modules. Fits any standard 3-gang US backbox.



Manu code:
TCUS SURRE3G
Part code: 1532067

3-GANG FLUSH MOUNT US MUD-RING

Standard 3-gang US flush-mount mud-ring for hollow (or dry) walls.



Manu code: TCUS MUDRING3G
Part code: 1643924

1-GANG US SURROUND

1-gang frame which accommodates two modules. Fits any standard 1-gang US backbox.



Manu code:
TCUS SURRE1G
Part code: 1643925

1-GANG FLUSH MOUNT US MUD-RING

Standard 1-gang US flush-mount mud-ring for hollow (or dry) walls.



Manu code:
TCUS MUDRING1G
Part code: 1643909

DAVE SAYS...

"Techconnect modules are a standard size and can be used all over the world."



Techconnect² Cables

1-PHONO (RCA)



One end pre-terminated phoenix connector ready to plug into back of Techconnect² Module. Moulded connector on the other end. 26AWG

5m Manu code: 5M1PHO
Part Code: 2042094

7m Manu code: 7M1PHO
Part Code: 2391620

10m Manu code: 10M1PHO
Part code: 1461162

15m Manu code: 15M1PHO
Part code: 1472522

20m Manu code: 20M1PHO
Part code: 1461170

3.5MM MINIJACK



One end pre-terminated phoenix connector ready to plug into back of Techconnect² Module. Moulded connector on the other end. 26AWG

5m Manu code: TC2 5M3.5MM
Part Code: 2042096

7m Manu code: TC2 7M3.5MM
Part Code: 2393276

10m Manu code: TC 10M3.5MM
Part code: 1461164

15m Manu code: TC15M3.5MM
Part code: 1474524

20m Manu code: 20M3.5MM
Part code: 1461172

2-PHONO (RCA)



One end pre-terminated phoenix connector ready to plug into back of Techconnect² Module. Moulded connector on the other end. 26AWG

5m Manu code: TC2 5M2PHO
Part Code: 2042095

7m Manu code: TC2 7M2PHO
Part Code: 2391621

10m Manu code: 10M2PHO
Part code: 1461163

15m Manu code: 15M2PHO
Part code: 1472523

20m Manu code: 20M2PHO
Part code: 1461171

VGA

One end pre-terminated phoenix connector ready to plug into back of Techconnect² Module. Moulded connector on the other end.

Ferrite core included on moulded connector end. Individually shielded coaxial cables for red, green and blue. 28AWG



5m Manu code: TC2 5MVGA
Part Code: 2042118

7m Manu code: TC2 7MVGA
Part Code: 2391623

10m Manu code: TC 10MVGA
Part code: 1461166

15m Manu code: TC2 15MVGA|
Part code: 1461168

20m Manu code: TC2 20MVGA
Part code: 1461174

S-VIDEO



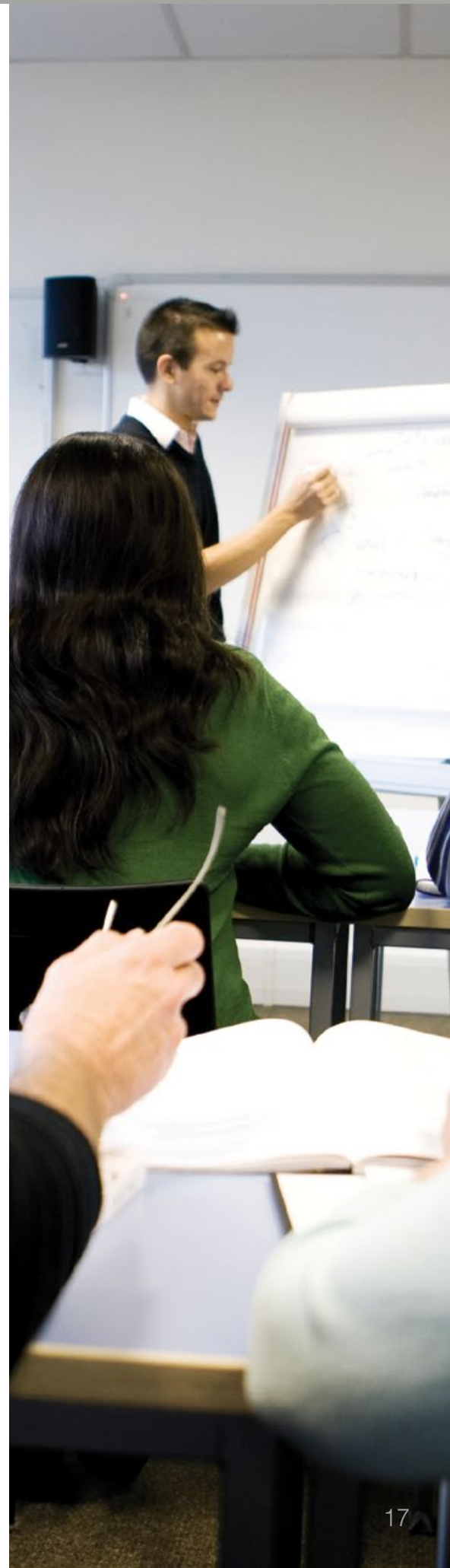
One end pre-terminated phoenix connector ready to plug into back of Techconnect² Module. Moulded connector on the other end. 28AWG

5m Manu code: TC2 5MSVID
Part Code: 2042117

15m Manu code: 15MSVID
Part code: 1461167

“DAVE SAYS...”

“Datasheets for all the products are available on Vision’s website.”



SP-5000 Column Loudspeakers

NEW! Slide up the grille to reveal a Techconnect modular faceplate. Both speaker chassis have an integrated Techconnect surround and can each accommodate up to 5 modules. Just add Techconnect modules, cables, and a Techmount, and you've got all the elements you need to finish an installation.



ACCOMMODATES TECHCONNECT AMP

Vision's Techconnect Amplifier can be clipped into place, or the SP-5000 loudspeakers can be used with any other low-impedance amplifier. If the Techconnect Amplifier is installed the amplifier power supply can be housed in the SP-5000 chassis, or externally if preferred. And of course the Techconnect Amplifier comes with a remote control for convenience.

AUDIO-OVER-USB

An audio-over-USB decoder is built in. Just route the USB from the PC to the loudspeakers; the PC will recognise them as an audio output device. The decoder has an audio output which is routed to an installed Techconnect Amplifier or an external amplifier.

The decoder then has a USB output which routes to the interactive whiteboard. When connecting USB to an interactive whiteboard the decoder must be powered. Power can be shared with a Techconnect Amplifier power supply if installed, or if not the Techconnect Control spare power supply (1872512) is available.

ARCHITECTURAL DESIGN

Attractive curved chassis and grille to compliment the finish of an interactive whiteboard or flat panel installation.

FLEXIBLE CABLE ROUTING

If used as a connectivity faceplate cables plugged in to the faceplate can either be routed outward, or can be routed downward so they are hidden behind the grille.

EASY-FIT BRACKET

A simple bracket is provided for attachment to the wall with no fuss. To install just clip the modules into place, plug the cables into the rear, clip the rear cover on, and hang on the brackets.

20 WATT POWER HANDLING

3-way design suited to audio visual applications



SPECIFICATIONS

LOUDSPEAKER DIMENSIONS
520 x 170 x 130mm (h x d x w)

CARTON DIMENSIONS:
570 mm x 430mm x 200mm

TOTAL WEIGHT (PAIR): 6.0 kg

PACKAGED WEIGHT: 6.5 kg

COLOUR: Silver

SPECIFICATIONS:
Frequency Response: 90Hz-20KHz
Power handling: 20 watts RMS
Tweeter: 1" silk
Woofer: 3.5"
Nominal impedance: 8 ohms
Sensitivity: 86dB

WARRANTY: 2-year return to base

COMPLIANCES:
RoHS, WEEE & CE compliant

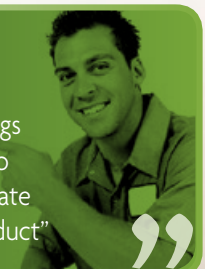
ORDER PART CODE
SP-5000 [SAP: 2107530]
SP-5000P [SAP: 2198885]

ACCESSORIES INCLUDED

- 1 x USB Patch cable 200mm long
- 2 x Wall Brackets
- 1 x USB Hub Power Patch cable 200mm long
- 2 x Safety Cables

DAVE SAYS...

"The SP-5000 brings together the audio system and faceplate into one slick product"



AV-1000 2 x 12w Powered Speakers



Vision's new powered-speaker has a built-in analogue amplifier outputting 2 x 12w (RMS) for small training rooms and classrooms where a simple audio reinforcement system will do.

2 X STEREO INPUTS

Two flexible line-level inputs are positioned on the rear panel: 1 x 2-phono socket, and 1 x mini-jack socket.

IR REMOTE CONTROL

Powered speakers are often mounted high out of reach with inaccessible volume dials. The AV-1000 has a remote control included which offers separate bass and treble adjustment.

LEVEL CONTROL OPTIONS

With the AV-1000 installers have various ways of allowing volume adjustment:

1. Route audio through your projector and use the projector remote for volume control
2. Use the volume dial on the back of the master speaker
3. Use the remote control
4. Use the Techconnect² Control² which integrates control into your faceplate.

EASY FIT

The included wall brackets allow quick one-man fitting and adjustment. The unique brackets allow the speakers to be pulled away from the wall and turned 90° which still being attached to the bracket – easy access to the rear panels.

MASTER-SLAVE CONFIGURATION

The master speaker contains the amplifier, and the slave connects to it with a single speaker cable allowing flexible placement for optimum coverage. The speakers can be positioned as close or distant as necessary.

2-WAY BASS REFLEX

A vented bass reflex design maximises the 4" main driver excursion allowing natural, full-range bass.



SPECIFICATIONS

SPEAKER DIMENSIONS:
240x155x196mm (height x width x depth)

PRODUCT WEIGHT: 5.5kg per pair

CARTON DIMENSIONS:
335 x 421 x 273mm

PACKAGED WEIGHT: 6.8kg

TECHNICAL DETAILS:

Frequency response: 78Hz-20,000kHz

Output impedance: 4 Ohms

Total Harmonic Distortion: <1%

CONSTRUCTION MATERIAL: MDF

COLOUR: White

POWER SUPPLY:
230V Internal Power Supply

WARRANTY: 2-year return to base

COMPLIANCES:
RoHS, WEEE, CE, and CB Compliant

ACCESSORIES INCLUDED

- 1 x Euro Figure-8 Power cable 1.8m long
- 1 x UK Figure-8 Power cable 1.8m long
- 1 x 2-phono to 3.5mm minijack cable 2m long
- 2 x Mounting Brackets
- 1 x 5m Speaker Cable
- 1 x Remote Control with battery

Manu code: AV-1000 / Part code: 1813805

DAVE SAYS...

"The easy-fit bracket is such an improvement over other designs."



SP-100V Pair 100v Line Transformers



A pair of step-down transformers which enable any low impedance passive loudspeakers to be used with a 100v-line amplifier in multi-loudspeaker applications.

INCLUDED

2 x 100/70v line transformers in safety-rated chassis with 4 / 8 / 16 / 30 wattage "taps" which enable the installer to select how many watts are fed to each loudspeaker.

WHAT IS 100V LINE?

For applications where more than two pairs of speakers are required installers use "100v line" amplifiers (70v in America) which are specially designed to power many loudspeakers – for example in retail environments or train stations.

100V LINE SIGNAL

To achieve distribution to many speakers daisy-chained over a long distance the 100v line amplifier outputs very strong "100 volt" signal. Loudspeakers for this type of amplifier need to be equipped with step-down transformers which convert this high-voltage signal to useable "speaker-level" signal.

NORMAL OPTIONS

Commonly loudspeaker manufacturers offer two versions of the same product: "low impedance" for use with normal amplifiers, and "100v line" with a 100v transformer built in for use in 100v line systems. Often the part number will end with a "t" to denote transformer. Normally the internal transformer cannot be bypassed if you need to want to use these loudspeakers with a low impedance amplifier.

VISION FLEXIBILITY

Vision's loudspeaker and amplifiers are all "low-impedance" because of the superior sound quality and greater power output. Instead of restricting installers to one or the other Vision offers the unique add-on SP-100V transformers which simply "retrofit" to any low impedance speakers. The SP-100V inserts between the 100v amplifier and the low impedance loudspeaker allowing any low-impedance loudspeakers need to be used with a 100v line amplifier.

SPECIFICATIONS

PRODUCT DIMENSIONS:

85 x 75 x 65mm

CARTON DIMENSIONS:

155 x 90 x 70mm

PRODUCT WEIGHT: 0.38kg

PACKAGED WEIGHT: 0.77kg

COLOUR: White

CONSTRUCTION MATERIAL: PLASTIC

WARRANTY: 2-year return to base

COMPLIANCES:

RoHS, WEEE & CE compliant

ACCESSORIES INCLUDED: n/a

ORDER PART CODE

Manu code: SP-100V / Part code: 2385504

DAVE SAYS...

"Only Vision offers a product that does this"



AV-1600 2 x 25w Digital Amplifier



Harnessing the latest digital amplifier, the new AV-1600 is powerful, compact, flexible, easy to use and uses no power at idle.

D-CLASS AMPLIFIER

2 x 25w RMS (at 8 ohms) low impedance digital power amplifier, capable of driving up to 4 speakers.

LED DIALS

The backlit dials are clear and easy to use. Useful LED indicators show the volume levels even in low light environments.

CEILING AMPLIFIER WITH GROUND LIFT

The AV-1600 can be mounted above a projector and share power source with projector.

Simply route audio through the projector to the amp, and use the projector remote control to adjust volume.

A ground lift switch eliminates earth hums sometimes caused by projectors.

MOUNTING EARS

Included Mounting hardware allows attachment to a wall, projector pole, or rack. It has a 1U / half-rack-width chassis.

FLEXIBLE INPUTS AND OUTPUT

4 x stereo inputs (via phono connectors) and a line-level output which can feed a subwoofer for bass reinforcement, or a tape recorder, or even to a larger amplifier if you need more power!

XLR MICROPHONE INPUT WITH 'PHANTOM POWER'

The microphone input is via a professional XLR connector, which

means it is balanced to eliminate electro-magnetic noise induced on long cables, and outputs "Phantom Power" – a voltage which is required by lectern and other sensitive condenser microphones. This is unique to the AV-1600 in its class.



Ceiling Pole Configuration



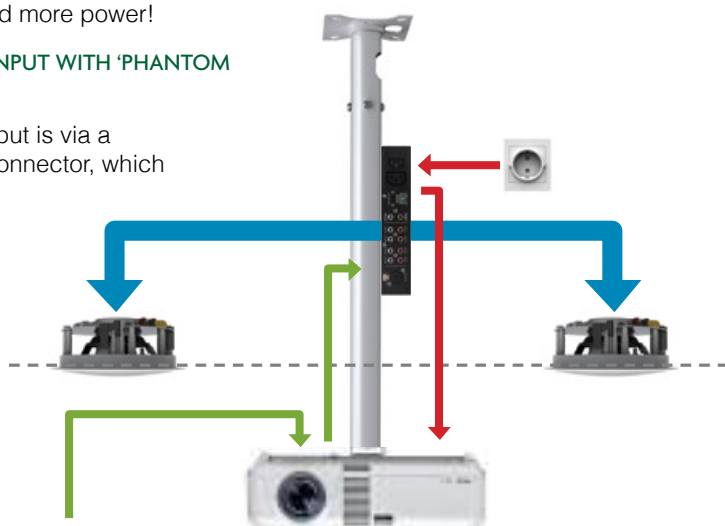
Rack Configuration



Wall Ears Configuration



Rear View



SPECIFICATIONS

AMPLIFIER DIMENSIONS:

220 x 170 x 44mm

PACKAGED WEIGHT:

2.8kg

CARTON DIMENSIONS:

293 x 233 x 133mm

AMPLIFIER WEIGHT:

1.1kg

COLOUR:

Black

INPUTS:

4 x Stereo inputs via phono connectors
1 x Microphone inputs via balanced XLR

OUTPUTS:

1 x Stereo Line-level output via phono connectors

TECHNICAL DETAILS:

2 x 25w @ 8 ohms

Total Harmonic Distortion <2%

Frequency response (line in): 50Hz~20kHz

Signal to noise ratio (line in): 75dB

Rating input level/Impedance:

line in 400~450mV/47kohms

Power consumption (rating condition):
<=100W

POWER SUPPLY:

100~240V Internal Power Supply

WARRANTY:

2-year return to base

COMPLIANCES:

RoHS, WEEE, CE, and CB Compliant

ACCESSORIES INCLUDED

- 1 x 2-phono to 2-phono cable 2m long
- 1 x 2-phono to 3.5mm minijack cable 2m long
- 1 x Euro Figure-8 Power cable 2m long
- 1 x UK Figure-8 Power cable 2m long
- 2 x Unshielded Speaker Cable 5m long
- 1 x Pair wall/pole mounting ears
- 1 x Pair rack mounting ears

Manu code: AV-1600 / Part code: 2123319

BUNDLE PART CODES

AV-1600+SP-1300B 2272850
AV-1600+SP-1300W 2272851
AV-1600+CS-1600 2386005

CS-1600 Pair 6.5” Ceiling Loudspeakers

Distribute sound evenly so the whole audience can hear! The CS-1600 ceiling speakers feature a two-way design which gives full-bandwidth sound full of bass and clarity.



ENCLOSED BACKCAN

The main driver is a 6.5” polypropylene cone, complimented by a ferro-fluid cooled silk tweeter. These low impedance speakers don’t sacrifice frequency range in the way that the transformer on 100/70v speakers inherently do, and with the rear cabinet allowing full tuning of internal acoustics the bass is rich and deep without distortion.

HIGH SOUND PRESSURE LEVELS

Ceiling speakers inherently lack power at the bottom end, so we’ve tuned the CS-1600 to have a louder sensitivity of 90dB to punch through high-noise presentation environments

SIMPLE TO FIT

Simple to fit into false ceiling tiles, the CS-1600 is the audio contractor’s ultimate product for ease of installation. Cut a 200mm hole, and fit the speaker! It’s clean and easy.

SHALLOW CABINET

Only 5” (128mm) deep, no compromise needs to be made when positioning the CS-1600 in the ceiling. They can be placed optimally around the room and they fit in a wide variety of false-ceiling environments.



SPECIFICATIONS

SPEAKER DIMENSIONS:

230 x 128mm (9 x 5”)

CUTOUT SIZE: 200mm (7 7/8”)

SPEAKER WEIGHT: 3.2kg (per pair)

CARTON DIMENSIONS:

312 x 260 x 260mm

CARTON WEIGHT: 3.8kg

POWER HANDLING: 30W RMS

WOOFER: 6.5”

TWEETER: 1” Silk

SPEAKER TERMINALS:

Bare-wire spring type

NOMINAL IMPEDANCE: 8 ohms

SENSITIVITY: 90dB (1w/1m)

FREQUENCY RESPONSE: 70Hz-20kHz

COLOUR: White

WARRANTY: 2-year return to base

COMPLIANCES:

RoHS, WEEE, and CE Compliant

BUNDLE PART CODES:

AV-1600+CS-1600 2386005

TC2-AMP2+CS-1600 2386006

Manu code: CS-1600

Part code: 2385505

“DAVE SAYS...

“Dead-easy to install and the best sounding ceiling speakers in their class.”





SP-1300 Pair 2-Way Wall Loudspeakers

Attractive and discreet; Vision's wall speakers offer clear, powerful audio reinforcement in a compact form factor. Available in black or white.

REVISED WALL BRACKET INCLUDED

The fully revised ball-joint brackets have been updated to make them easier for one person to install. With flexible mounting options to allow installers to arrange the loudspeakers evenly throughout the room, the ball-joint bracket allows exact positioning to create an expansive stereo image. Also included is a fall-arrest safety cable to remove the risk of injury.

HIGH DEFINITION

With a passive crossover to ensure a smooth low-mid range response, and a 4" driver dedicated to bass and mid, the SP-1300 gives clearer, crisper midrange. The 3/4" silk dome tweeter adds needle-sharp top end all the way to 20kHz. 86dB sensitivity belies that more effort has gone into making these loudspeakers sound good, rather than just being outright loud.

SPECIFICATIONS

SPEAKER DIMENSIONS:

230 x 160 x 120mm

SPEAKER WEIGHT: 3.5kg (per pair)

CARTON DIMENSIONS:

287 x 240 x 171mm

CARTON WEIGHT: 3.9kg

POWER HANDLING: 70W RMS

WOOFER: 4"

TWEETER: 3/4" Silk

SPEAKER TERMINALS:

Bare-wire spring type

NOMINAL IMPEDANCE: 8 ohms

SENSITIVITY: 86dB (1w/1m)

FREQUENCY RESPONSE: 80Hz-20kHz

COLOUR: Black or White

WARRANTY: 2-year return to base

COMPLIANCES:

RoHS, WEEE, and CE Compliant

ACCESSORIES INCLUDED

- Ball-point wall brackets with fall-arrest cables

Manu code: SP-1300B / SP-1300W
Part code: 1461158 / 1461159

BUNDLE PART CODES:

AV-1600+SP-1300B 2272850
TC2-AMP2+SP-1300B 1703068

AV-1600+SP-1300W 2272851
TC2-AMP2+SP-1300W 1703069



DAVE SAYS...

"Vision has revised the ball-joint bracket to make them easier to install."



TS-VGA 1:2 Distribution Amplifier

The full revised Techsplitter takes one VGA signal and duplicates it for display on two display devices. Perfect for presentation or retail applications.



INTERCHANGEABLE POWER PLUG

The Techsplitter has a transformer moulded into the power plug with interchangeable plugs for UK, Europe, US, and Australia.

HIGH DEFINITION

This high-bandwidth HD RGBHV splitter gets your computer image from A to B with technical integrity. With a maximum resolution of 1920 x 1440 the Techsplitter is easily capable of transmitting HD signals.

CLIP-ON MOUNTING EARS

Easy clip-on mounting ears are included which allow easy attachment under tables, in cupboards, or lecterns.

BOOSTS AND BUFFERS

A computer image is split over 5 cables for transmission and is very weak, so it's important to keep each of the five signals at full strength. Every join reduces the signal strength by 3dB, so it's important to boost the signal as you go. Simply by introducing the VGA Splitter into the chain you can ensure maximum quality transmission over a long distance. Note: Theoretically there is no limit to the number of splitters that can be chained, but the quality will deteriorate as you chain further and further away from the video signal.

QUICK CONNECTION

RGBHV signal (informally known as "VGA") can be carried over five professional BNC interconnect cables, or for convenience we use 15-pin sockets as seen commonly on LCD monitors, projectors, and laptops. This cable provides a reliable and cheap method for quickly connecting devices.



SPECIFICATIONS

CHASSIS DIMENSIONS:

145 x 55 x 28mm

PRODUCT WEIGHT: 200 grams

COLOUR: Gun Metal

TECHNICAL DETAILS:

Maximum resolution: 1920 x 1440

Horizontal frequency: 30-100Hz

Vertical frequency: 43-120Hz

Bandwidth: 250MHz

Supports DDC, DD2, DDC2B

I/O Interface:

TTL Compatible; Vertical Sync & Horizontal Sync,

Analogue Signal; Supports sync on green

I/O Signal:

Video: TTL level Positive Analogue
0.7vp-p/75 Positive

Sync:

Separate sync, TTL Level

Horizontal sync. Positive/Negative

Vertical sync. Positive/Negative

Composite sync, TTL level

Recommended Transmission distance:

Splitter Input: Cable should be no longer than 7.5m

Splitter Output: Max 20m

CARTON DIMENSIONS:

180x 150 x 60mm

CARTON WEIGHT: 0.4kg

WARRANTY: 2-year return to base

COMPLIANCES:

RoHS, WEEE, and CE Compliant

DAVE SAYS...

"VGA shouldn't be run over cables longer than 20m without boosting."



ACCESSORIES INCLUDED

- 1 x VGA Cable Male to Male (2m)
- POWER SUPPLY External 100/230v Power Transformer with UK, EU, US, and AU interchangeable plugs

Manu code: TS-VGA / Part code: 1707561



TM-LCD Universal Flat-Panel Wall Mount



NEW! A single bracket which fits every LCD or plasma screen from 15" right up to 65"? And it's faster to install than any other bracket? Vision has rewritten the rules with the new TM-LCD.

ELIMINATING UNNECESSARY BULK

Traditional brackets employ two metal plates – one which attaches to the screen, and one which attaches to the wall, and they hook together. By eliminating the bulky plates the TM-LCD is not limited by size – resulting in a dramatically smaller product which fits more sizes than any other bracket.

FASTEST INSTALLATION

Vision has replaced fiddly screws with screws which can be installed by hand. These thumbscrews then hook directly onto the wall brackets replacing function of the plate which normally fits to the screen.

EASY-LOCATING



The keyhole design allows easy hanging of the screen to the wall brackets. When in place the thumbscrews lock securely in place and resist loosening from vibration.

VESA AND NON-VESA

Two paper templates are included – one for small screens, and one for large screens. Both are pre-printed with VESA layouts to position the brackets on the wall. The templates are gently sticky and a useful removable spirit level is included to level the paper.

FLUSH MOUNT



The TM-LCD holds screens 10mm away from the wall and comes with wall attachment fixtures for large and small monitors. For screens

which have cables which exit at 90° easily available stand-off spacers can be fitted to lengthen the thumbscrews to stand the screen further off the wall.

SCREEN SIZES

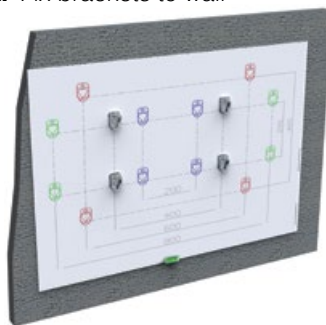
Four sets thumbscrews are included for different screens: M4, M5, M6, M8.

STRONG MACHINED PARTS

High tolerance cast-alloy brackets and milled thumbscrews slot together neatly. Each bracket is rated to take a sheer load of up to 12.5kg each.

INSTALL STEPS

1. Fix paper template to wall
2. Fix brackets to wall



3. Fit thumbscrews to rear panel of screen



4. Hang in place. You're done in record time!

SPECIFICATIONS

BOX DIMENSIONS

130 x 90 x 55mm

PACKAGED WEIGHT: 0.5kg

SAFE WORKING LOAD

4 x 12.5kg = 50kg

COLOUR: Aluminium

COMPLIANCES: TUV-GS Certification

WARRANTY: 2-year return to base

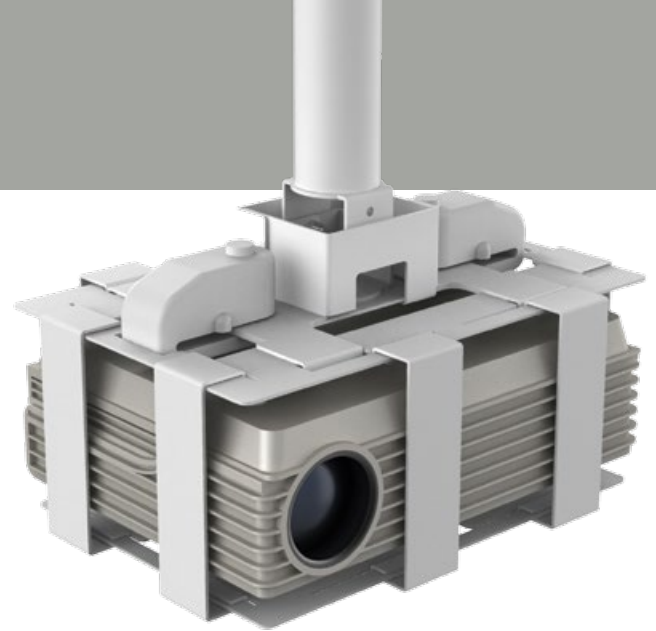
ORDER PART CODE

TM-LCD [SAP:1932374]

ACCESSORIES INCLUDED

- 4 x M4x12 Thumb-screw Bolts
- 4 x M5x12 Thumb-screw Bolts
- 4 x M6x14 Thumb-screw Bolts
- 4 x M8x16 Thumb-screw Bolts
- 4x ST8x50 Screws with M8 square washers
- 4x RT expansion tube 6.5x45
- 4x ST4x25 Screws with M4 square washers
- 4x RT expansive tube 4x30
- 1 x Large Paper Template
- 1 x Small Paper Template
- 1 x Spirit Level with plastic clip

TM-CAGE Universal Projector Security Enclosure



NEW! Security doesn't have to be obtrusive! Vision's unique projector security deterrent cage features motion-sensing audible alarms and the clever lightweight design is deceptively strong and secure.

CHOOSE FROM EIGHT SIZES

1. Select a small or medium top plate package which includes the top and bottom plates, foam blocks, locking collars, and locks.

The small plate accommodates projectors up to 315 x 235mm

The medium plate accommodates projectors up to 375 x 300mm

2. Select a side package which includes eight side panels and comes in four sizes to allow for projectors of different heights; 80, 100, 120, and 160mm.

113DB INTEGRATED ALARM

Two hardened tamper-proof locks have built in motion-sensing alarms. When they sense continual motion for more five seconds the sirens will sound with a combined volume of 113dB.

2 LOCKS / 2 KEYS

The two locks do not use the same key which creates delay for a thief as they struggle to figure out which key is for which lock. The same two keys are provided with every TM-CAGE so that a facility manager only needs to have two keys with him at any time.

LIGHTWEIGHT

Weighing only 3.5kg, the enclosure assembles like a puzzle making it deceptively difficult to take apart. Security comes from intelligent design, rather than over-engineering.

The design allows compact packaging, reducing freight and warehousing costs.

COOLING, CABLE, AND IR ACCESS

Sliding side panels allow unimpeded connectivity, open airflow, and IR remote control access. Even if one side panel is removed to allow for a lens the cage still remains totally secure.

35° TILT

The TM-CAGE fits to all Vision projector Techmounts and has 30° of pitch and roll adjustment with the TM-CC and TM-ST, and 35° with the TM-1200.

CLOSE-FIT

Designed to conform as closely as possible to the size of the projector, this allows a more secure design and makes it more attractive. The projector can't be manoeuvred within the enclosure to squeeze it out of an aperture, and any attempt to cut the cage would damage the projector.

ASSEMBLY

1. Set bottom plate on non-scratch surface
2. Put projector into place
3. Add side panels on long sides
4. Fit top plate
5. Add side panels on short sides
6. Attach Techmount Projector bracket
7. Fit collars
8. Fit locks

VIBRATION RESISTANT

The projector sits upside-down inside the cage on high density foam block which provide damping from vibration and protect the chassis of the projector.



SPECIFICATIONS

PLATE LENGTH BY WIDTH SIZES

Small: For projectors up to 315 x 235mm

Medium: For projectors up to 375 x 300mm

SIDE HEIGHT SIZES:

80mm, 100mm, 120mm and 160mm

BOX DIMENSIONS

Small Plate Package	326 x 222 x 77mm
Medium Plate Package	386 x 287 x 84mm
80mm Side Package	98 x 87 x 66mm
100mm Side Package	118 x 87 x 66mm
120mm Side Package	138 x 87 x 66mm
160mm Side Package	178 x 87 x 66mm

PACKAGED WEIGHT

Small Plate Package	4.8kg
Medium Plate Package	3.8kg
80mm Side Package	1.0kg
100mm Side Package	1.1kg
120mm Side Package	1.2kg
160mm Side Package	1.4kg

SAFE WORKING LOAD 7kg

BATTERIES (SUPPLIED):

6 x LR44 (aka AG13) Batteries per lock

COLOUR: Satin White

WARRANTY: 2-year return to base

COMPLIANCES: TUV-GS Certification

PLATE PACKAGE ORDER PART CODES:

TM-CAGES [SAP:2061112]
TM-CAGEM [SAP:2061105]

SIDE PACKAGE ORDER PART CODES:

TM-CAGE80 [SAP:2061106]
TM-CAGE100 [SAP:2061107]
TM-CAGE120 [SAP:2061108]
TM-CAGE160 [SAP:2061160]

SMALL KIT CODES:

TM-CAGES+80 [SAP:2061184]
TM-CAGES+100 [SAP:2061185]
TM-CAGES+120 [SAP:2061186]
TM-CAGES+160 [SAP:2061284]

MEDIUM KIT CODES:

TM-CAGEM+80 [SAP:2061285]
TM-CAGEM+100 [SAP:2061286]
TM-CAGEM+120 [SAP:2061287]
TM-CAGEM+160 [SAP:2061288]

ACCESSORIES INCLUDED

- 16 x High density packing foam blocks
- 1 x Lock Hex Key
- 2 x Disc Locks

TM-1200 Universal Projector Ceiling Mount

With an overall length of 1410mm, the TM-1200 has a fixed 1.1m pole which is cut to length onsite, so it suits the professional installer who does multiple installations a day and wants a fast, flexible product. The fixed pole has greater rigidity than telescopic mounts and because it is cut to length it has an infinitely variable length.

FLUSH MOUNT

Built in flexibility allows quick assembly in a number of configurations including “flush-mount” where the projector is as close to the ceiling as possible.

SLOPING CEILINGS?

A tilting mechanism is included which tilts to a full 90 degrees.

SAFETY APPROVED

A safety fall-arrest tether is included. Independent testing on calibrated test equipment measured a breaking-strain of half a ton! Vision recommends a maximum safe working load of 10kg which is well within the limits of the product, and up to BSi installation standard specification (PAS122:2009).

EASY FIT

Fitting the bracket to the projector is simple; almost all projectors have threaded inserts in the bottom for attachment. Simply adjust the arms over the attachment holes, and insert a screw into the projector.

OBSTRUCTION-FREE CABLE MANAGEMENT

Rather than having a bolt that runs through the pipe and blocks cable access, the TM-1200 uses a unique 4-bolt system which leaves cable access clear - even for a big VGA connector and an IEC power plug.

TOOLS INCLUDED

A spanner and pin-hex key are included. The only tool you'll need is a 2" pipe cutter. TM-1200 even comes with a unique drilling jig so you can easily and accurately drill 9mm holes into the pole.

SECURE

Quick-release mechanisms make projectors easier to steal, so the TM-1200 features secure security bolts.

TRIM DISC

Enhance aesthetics with the retrofittable trim disk which is fitted in false-ceiling environments to properly finish the installation.

SPECIFICATIONS

BOX DIMENSIONS:

1300 x 160 x 90mm

PACKAGED WEIGHT:

5.5kg

SAFE WORKING LOAD:

10kg

COLOUR:

Satin White

WARRANTY:

2-year return to base

COMPLIANCES:

TUV-GS Certification

ACCESSORIES INCLUDED

- 1 x H50 Pin-Hex key
- 1 x 17mm Spanner
- 4 x M3 43mm screws
- 4 x M4 43mm screws
- 4 x M5 43mm screws
- 4 x M6 43mm screws
- 4 x M2.5 43mm pan slot for Optoma & Acer
- 4 x M8 50mm Ceiling Fixtures with rawl plugs
- 1 x Drilling Jig
- 1 x Safety Tether
- 1 x Ceiling Trim Disc

Manu code: TM-1200

Part code: 1562435

Optional 1m Extension Pole:

Manu code: TM-1200 EXT1M

Part code: 1562436



TM-TELE Telescopic Projector Ceiling Mount

This universal bracket has a telescopic pole which gives it an overall length of 440-735 mm. The telescopic design allows fast deployment and adjustment without the need cut and drill the pole.

MORE LENGTH ADJUSTMENT

It has a greater range than most other telescopic mounts and the pole can be removed for "flush-mounting" the projector as close to the ceiling as possible. Note: unlike the TM-1200 the length of this bracket cannot be extended.

ONE-MAN INSTALLATION

Thoughtful design detail include a length adjustment clamp system which requires only one hand to tighten.

SLOPING CEILING?

A tilting mechanism is included which tilts to a full 90 degrees, allowing you to use the bracket as a boom if need be.

SAFETY APPROVED

And included fall-arrest tether secures the projector to your bracket, and the pole has a mechanical stop so that the two parts of the pole cannot be separated. Vision recommends a maximum safe working load of 10kg which is well within the limits of the product and meets the BSi installation standard specification (PAS122:2009).

EASY FIT

Projectors have threaded inserts in the bottom for attachment – but not all use the same diameter screws so Vision includes a selection to suit most projectors. Simply locate the "spider" arms on our bracket over the attachment holes, and insert a screw into the projector.

OBSTRUCTION-FREE CABLE MANAGEMENT

Vision's unique 'chute-through' system leaves cable access clear – even for big VGA connectors.

TOOLS INCLUDED

A spanner and pin-hex key are included. Vision also includes a hex-key bit for a power drill to speed up installation.

SECURE

Quick-release mechanisms make life easier for thieves, so the TM-TELE is secure and features security bolts.



SPECIFICATIONS

BOX DIMENSIONS: 393 x 150 x 80mm

PACKAGED WEIGHT: 3 kg

SAFE WORKING LOAD: 10 kg

COLOUR: Satin White

WARRANTY: 2-year return to base

COMPLIANCES: TUV-GS Certification

ACCESSORIES INCLUDED

- 1 x H50 Pin-Hex key
- 1 x 17mm Spanner
- 4 x M3 43mm screws
- 4 x M4 43mm screws
- 4 x M5 43mm screws
- 4 x M6 43mm screws
- 4 x M2.5 43mm screws
- 4 x M8 50mm Ceiling Fixtures with rawl plugs
- 1 x Safety Tether

Manu code: TM-TELE / Part code: 2418655

DAVE SAYS...

"Just the mount when you're doing it yourself"



TM-1200 FP Flat-Panel Ceiling Mount Adaptor

- > Enables attachment of LCD screen to TM-1200 projector ceiling mount
- > Works for any size LCD using VESA 75 to 400
- > Tilt adjustment and locking system

This adaptor replaces the 'spider' on Vision's TM-1200 Techmount allowing AV installers to safely mount flat-panel screens to ceilings. Ideal for retail, receptions areas, pubs, or any other environment where digital signage is deployed.

Vision offers this adaptor as a spare part or bundled with the TM-1200. This adaptor can also be fitted to the TM-TELE and TM-CC.



VESA

On the rear panel of most LCD screens the mounting holes are set out in standard "VESA" configurations. For small monitors this is 75 x 75mm or 100 x 100mm. For larger monitors it can be 200 x 200mm, 300 x 300mm, 400 x 400mm or any combination of these sizes. The TM-1200 FP attaches to all of these configurations.

EXTENSION ARMS

The adaptor plate fits directly to all VESA sizes up to 200 x 200mm. To fit larger sizes the included extension arms need to be fitted.

TILT SUPPORT

For heavier screens a tilt support is included which insures the tilt angle is maintained.

CABLE MANAGEMENT

Cables flow directly out of the TM-1200 pole to the centre of the screen for tidy routing.

TUV-GS CERTIFIED

The TM-1200 has been tested and certified by the strictest test house in the world.



SPECIFICATIONS

BOX DIMENSIONS:

240 x 240 x 70mm

PACKAGED WEIGHT: 1.91 kg

SAFE WORKING LOAD: 20 kg

COLOUR: Satin White

WARRANTY: 2-year return to base

ACCESSORIES INCLUDED:

- 4 x M6x8 (diameter x length in mm) bolts
- 12 x M6x12 bolts
- 4 x M4x12 bolts
- 4 x M5x12 bolts
- 4 x M8x14 bolts
- 2 x M8x14 nuts and bolts
- 2 x M8 x 8 bolts
- 4 x VESA Extension Arms
- 1 x Tilt Support

ORDER PART CODE:

TM-1200 FP [SAP: 2530224]

TM-1200 Bundle:

TM-1200+FP [SAP: 2574552]

TM-CC Close-Couple Universal Projector Mount



The Techmount TM-CC is designed for applications where no 'drop' is required, so there is no pole is included and other unnecessary parts have been stripped out of the kit. It holds the projector 110mm below the ceiling.

ROBUST CONSTRUCTION

High standard of finish and over-engineered for stability and safety. A rugged high-quality satin-white finish blends with ceiling tiles.

MANOEUVRABLE

The top and bottom parts can rotate 360 degrees, and the spider arms have a maximum span of 340mm. Tools are included including a spanner and pin-hex key.



CATHEDRAL-CEILING READY

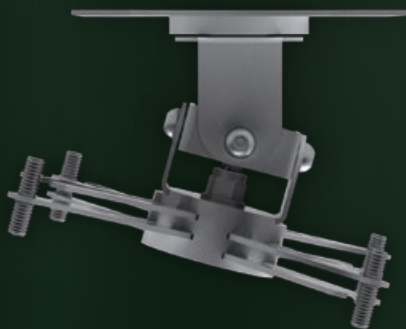
A tilting mechanism is integrated allowing you to use the bracket with cathedral-type ceilings.

FALL-ARREST TETHER

As with all projector Techmounts a safety cable is included to attach to the projector. The TM-CC has a recommended maximum safe working load (SWL) of 10kg which is well within the limits of the product.

PIN-HEX BOLTS

The TM-CC comes with secure pin-hex bolts to deter thieves.



SPECIFICATIONS

BOX DIMENSIONS: 244 x174x120mm

PACKAGED WEIGHT: 1.6kg

SAFE WORKING LOAD: 10kg

COLOUR: Satin White

PALLET QTY: 360

WARRANTY: 2-year return to base

COMPLIANCES: TUV-GS Certification

ACCESSORIES INCLUDED

- 1 x H50 Pin-Hex key
- 1 x 17mm Spanner
- 4 x M2.5 43mm pan slot for Optoma & Acer
- 4 x M3 43mm screws
- 4 x M4 43mm screws
- 4 x M5 43mm screws
- 4 x M6 43mm screws
- 4 x M8 50mm Ceiling Fixtures with rawl plugs
- 1 x Safety Tether

Manu code: TM-CC
Part code: 1932372

DAVE SAYS...

“With the TM-1200 make sure you use a pipe cutter with a 6-67mm range and metal cutting disk”



TM-ST Short-Throw Projector Wall Mount



SPECIFICATIONS

POLE LENGTH: 450-1550mm

WALLPLATE FOOTPRINT:
224 X 114mm (height x width)

BOX DIMENSIONS:
1400x150x140mm

PACKAGED WEIGHT: 5.9kg

SAFE WORKING LOAD:
0-750mm from wall: 7.5kg
750-1550mm from wall: 5.0kg

COLOUR: Satin White

WARRANTY:
2-year return to base

COMPLIANCES: TUV-GS Certification

ACCESSORIES INCLUDED

- 1 x 4mm Pin-Hex key
- 1 x 5mm Pin-Hex key
- 4 x M2.5 43mm pan slot for Optoma & Acer
- 4 x M3 43mm screws
- 4 x M4 43mm screws
- 4 x M5 43mm screws
- 4 x M6 43mm screws
- 4 x ST8 50mm Wall Fixtures with rawl plugs
- 1 x Wall Plate Covers
- 1 x Boom Cover
- 1 x Safety Fall-Arrest Tether
- 1 x Tilting Mechanism

Manu code: TM-ST
Part code: 1937671

UST Version:
Manu code: TM-UST
Part code: 1702370

The Techmount TM-ST caters for all Short-Throw and Ultra-Short-Throw. No extra parts required.

Alternately a shorter “ultra-short-throw-only” version is available with a 750mm reach.

UNIQUE DESIGN

With an innovative new lateral height adjustment it overcomes many of the common difficulties of wall boom installations, resulting in easy setup and fine tuning.

EASY-CUT BOOM

The wall plate is made of steel for rigidity, and the boom is extruded from aluminium to reduce the overall cantilever load on the wall, and to allow excess length to be easily cut off.

EASY BOOM HEIGHT ADJUSTMENT

Ultra short-throw projectors are susceptible to poor setup; tilting fore and aft will always result in an inferior image with uneven focus. The clever vertical adjustment screw means you adjust the boom to the correct throw distance, and turn the adjustment

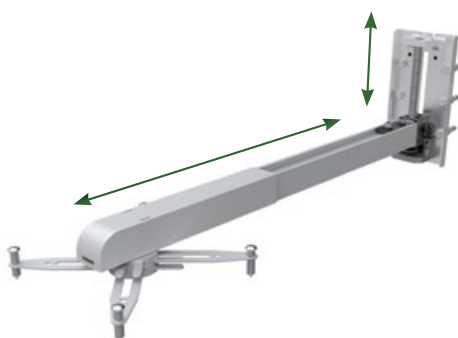
screw on the wall plate for height adjustment. The projector is kept perfectly perpendicular to the screen resulting in a perfect image!

TELESCOPIC DESIGN

One part of the boom slides along the other part giving a 0-1550mm range of movement. That's enough for most short-throw projectors to project onto a 78" whiteboard.

MOUNTING TEMPLATE INCLUDED

A useful paper template is included to help installers locate the wall plate with respect to common whiteboards.



DAVE SAYS...

“Ultra-short-throw projectors should always be kept perpendicular to the screen – otherwise the image will never look good.”



WE'RE HERE TO HELP



Vision is obsessed with developing innovative products and backing them up with great support. If you have any questions about any of our products, just contact our support team at www.visionaudiovisual.com and we will be glad to help.

Where to Buy Vision Products

We've got a network of distributors and resellers all over the world. To find one near you please contact us at www.visionaudiovisual.com/contact-us